

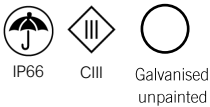
Solar Zenit



KEY ADVANTAGES

- Energy self-sufficiency without mains connection.
- 0 energy cost.
- Anti-vandalism design.
- 0 emissions to the atmosphere.
- Personalized study of needs.
- High resistance to the corrosion.
- Smart Solution.
- Maximum reliability and quality at a competitive price.
- Orientable.
- Height: 5 to 6 m.

POLES



DESCRIPTION

The most efficient smart solar solution with lithium battery. Compact design with smooth, minimalist lines.

VEKA N LUMINAIRES



DESCRIPTION

Veka is the new luminaire family for public street lighting by Carandini. Its elegant design, latest generation LED technology and optical distributions make it a quality solution for urban streets, secondary roads, residential streets, car parks and bike lanes.

- Veka N
794 lm - 11.251lm
- Veka N
PT: 0,08m²
SE: 0,09m²
FM: 0,08m²
- Veka N
156lm/W
Luminaire
- 40°C - +55°C
- Veka N
5,3 Kg
- 0,00% - 0,33%
FHS/ULR



Veka N

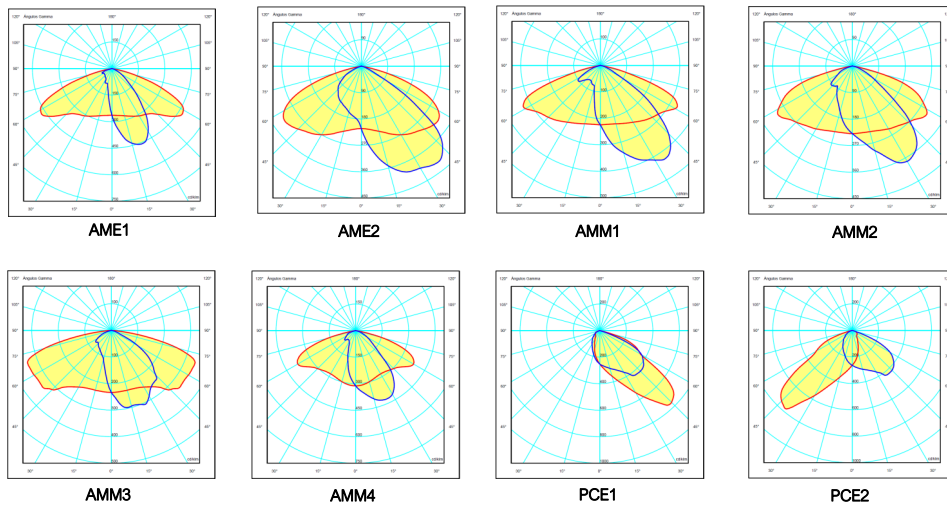
FURTHER INFORMATION

Configurator, technical data sheet, photometry, dimensions:



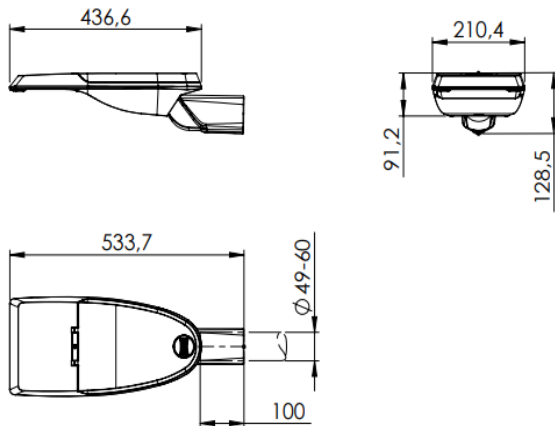
PHOTOMETRIC DISTRIBUTIONS

It has the 8 photometric distributions used for the environments in which this type of luminaire is installed, allows it to adapt to all needs:



DIMENSIONS VEKA N

Fijación lateral $\varnothing 49/60$ mm (SE2)



APPLICATIONS

Urban Streets, Residential Areas, Pedestrian Areas and Parks, Bike Lanes.

CHARACTERISTICS POLES

SOLAR PANEL

Type	Polycrystalline
Power	100, 160, 200 Wp.
Lifespan	More than 25 years

BATTERY

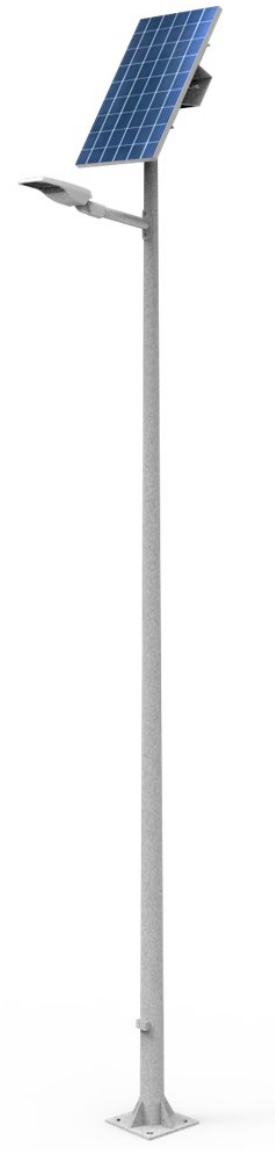
Type	LI-Ion(LiFePO4)
Capacity	48, 68, 88, 95, 120, 160, 200 Ah.
Maximum Depth of discharge	80%.
Autonomy	1 - 3 days.

POLES

Height	5 - 6 metres.
Material	Hot dip galvanised
Corrosion resistance	> 15 years.
Additional protection	Polyester powder coating.
Optional treatment	Antigraffiti protection
Wind resistance	120 Km/h.

MANAGEMENT AND CONTROL

Equipment	RP: Default regulation programming: From sunset, the first 4h at 100%, during the night at 30% and 2h before sunrise at 100%.
-----------	--



LOGISTICAL INFORMATION POLE

* It may vary depending on the quantities ordered.

STANDARDS CERTIFICATES POLES

Mast:

- CE
- EN 40-5:2002
- EN 40-5:2003

Galvanised:

- UNE-EN 10025-1:2006
- UNE-EN ISO 1461:2010

Photovoltaic panel:

- TÜV standards
- IEC61215
- IEC61730
- ISO 22000
- ISO 9001
- EN 61000-6-1:2007 Y 61000-6-3:2007

Controller:

- CE
- RoHS

Battery:

- CE
- UNE-EN 62133-2:2017
- UL 1642
- UN38.3

Electromagnetic compatibility:

- UNE-EN IEC 55015:2020
- UNE-EN 61547:2011
- UNE-EN 61000-4-2:2010
- UNE-EN 6100-4-3:2007
- UNE-EN 62493:2015